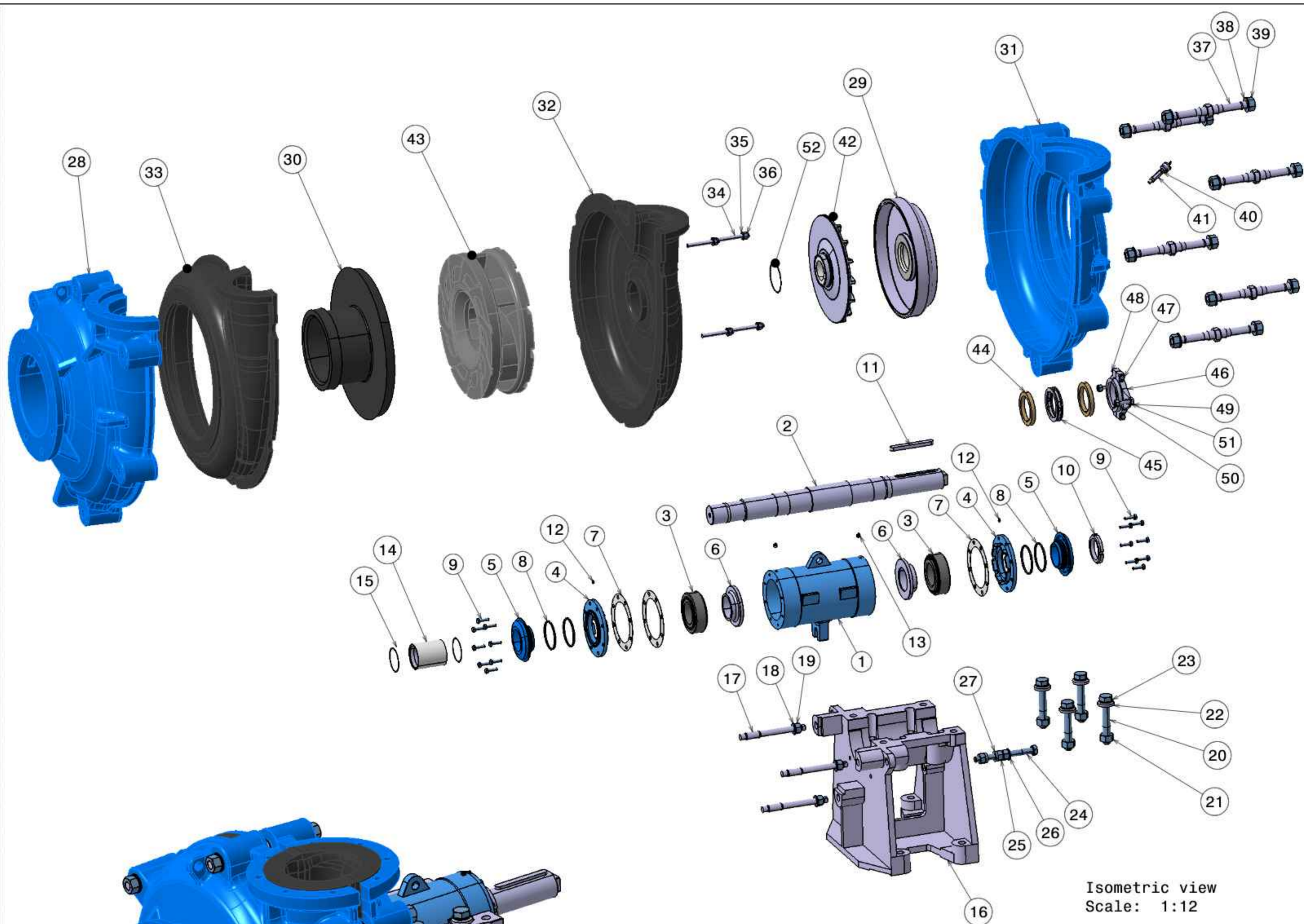


52	ORing 120*4	1	NR
51	Washer 16*30	2	DIN125
50	Nut M16	2	DIN 934
49	Gland Bolt 35 75	2	Mo40
48	NUT M12	2	DIN934
47	Bolt M12*90	2	DIN933
46	Gland 132 103 16	2	GG25
45	Lantern 133 103 23	1	St52
44	Packing 16*16	2	Cotton
43	Rubbered Impeller 570 250 212	1	NR+GGG40
42	Expeller 425 86 64	1	Hi-Cr
41	Oil Neadle 1/4*60	1	St37
40	Grease Cup 1/4	1	st37
39	Nut M30	12	DIN934
38	Washer 30*56	12	DIN125
37	Cover Bolt 54 373	6	Ck45
36	Nut M16	4	DIN934
35	Washer 16*30	4	DIN125
34	Bolt M16L120	4	DIN976
33	Cover Plate Liner 10/8	1	NR
32	Frame Plate Liner 10/8	1	NR
31	Frame Plate 10/8	1	GGG40
30	Rubbered Throat Bush 600	1	NR+st37
29	Expeller Ring 406 134 94	1	Hi-Cr
28	Cover Plate 10/8	1	GGG40
27	Washer 40 25 8	2	St37
26	Washer 24*44	1	DIN125
25	Nut M24	3	DIN934
24	Bolt M24*250	1	DIN931
23	Spring Washer 30	4	DIN127
22	Clamp Washer 68 31 13	4	ST37
21	Nut M30	4	DIN934
20	Bolt M30x180	4	DIN 931
19	Nut M24	3	DIN934
18	Washer 24*44	3	DIN125
17	Plate Bolt 28 270	3	Ck45
16	Frame 365 232	1	St37
15	ORing 90*4	2	NR
14	Bush Sleeve 101 86 119	1	St52-200micron Chrome
13	Grease Nipple 10	2	DIN71412
12	Grease Nipple 6	2	DIN71412
11	Key 22 14 172	1	DIN6885
10	Lock Nut 115 85 16	1	St52
9	Bolt M12*35	16	DIN933
8	Labyrinth Ring 114 105 5	4	GGG40
7	Shim Set 225 162	3	Brass/Paper
6	Grease Retainer 108 89 39	2	GG25
5	Labyrinth 170 88 54	2	GG25
4	End Cover 225 115 36	2	GG25
3	Bearing 6535 6580	2	Timken
2	Drive Shaft 98 985	1	MO40
1	Bearing Housing 162 380	1	GG25
Item No.	Part Name	QTY	Material/Standard



Isometric view
Scale: 1:9

Isometric view
Scale: 1:12

√ (1.6 / , 0.8 /)		1400/--/--	M.Tolami	
ITEM	REV.NO	DATE	NAME	DESCRIPTION
Date:	1402/05/08	Project Name:Warman Pump 10/8X Linery		
Design:	Arshin Machine	Title:		
Drawn:	M.Tolami	Explode		
Confirmed:	M.Arashmanesh	Assm.No: --		
Approved:	Gh.Zare	Drw.No: --		
Dimension Tolerances:		Material: --	Weight:--kg	Size:A3
ISO 2768-f		Dimentions : mm	Qty:01	Sheet:01/10

