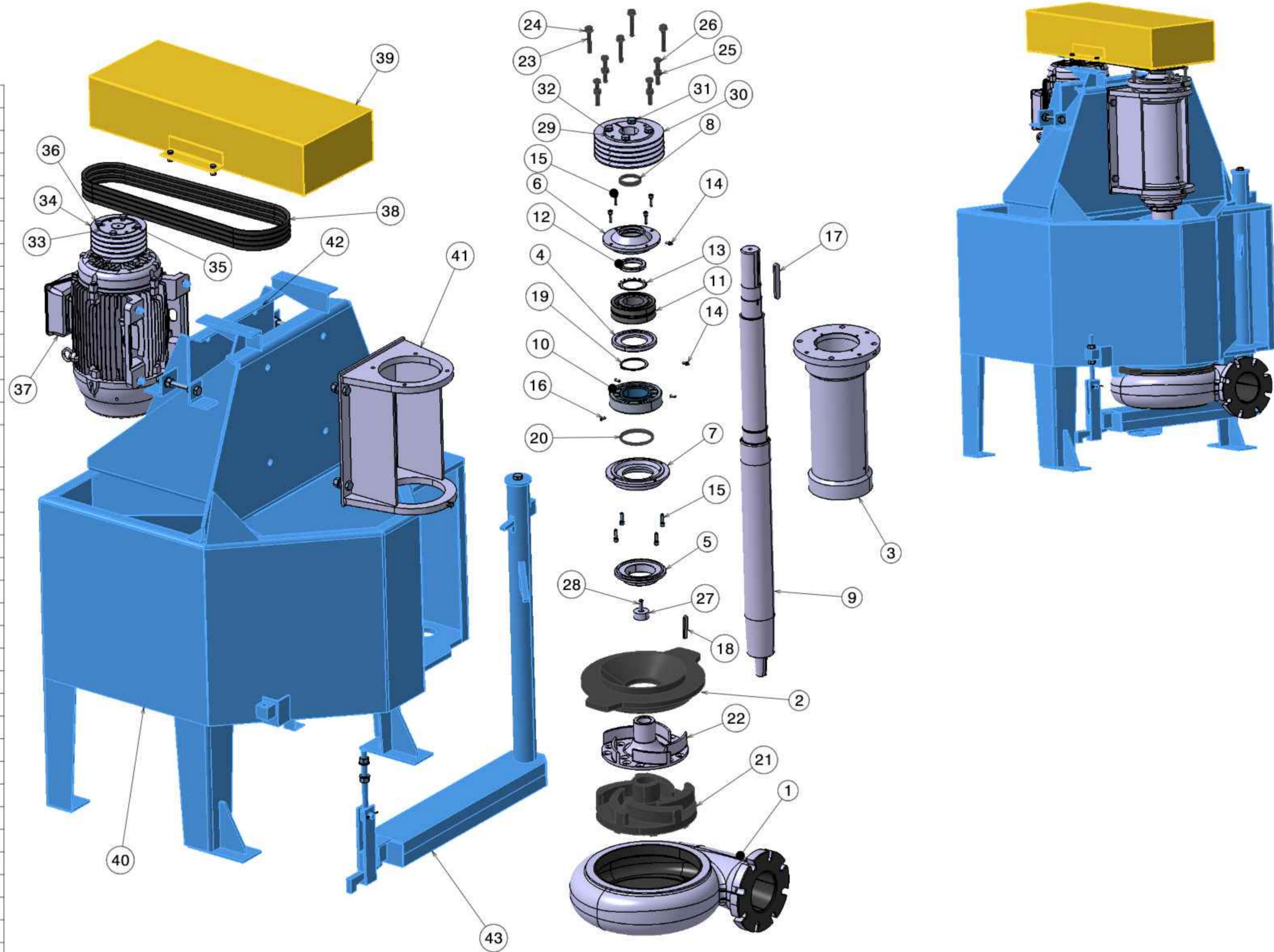



43	Jack	1	St37
42	Motor Base	1	St37
41	Frame 230 505	1	St37
40	Tank Body	1	St37
39	Guard	1	St37
38	Belt B80	4	DIN2215
37	ElectroMotor 22KW 1470RPM		
36	Bolt 1/2*45	4	ASME18.2.1
35	Washer 12*24	4	DIN125
34	Pulley 200 4VB	1	GG25
33	Bush Pulley 140 48 61	1	GG25
32	Washer 16*30	4	DIN125
31	Bolt 9/16*50	4	ASME B18.2.1
30	Pulley 250 4VB	1	GG25
29	Bush Pulley 170 70 66	1	GG25
28	Screw M16*50	1	DIN912
27	Washer Impeller 55 18 25	1	St37
26	Bolt M16*100	4	DIN933
25	Nut M16	4	DIN934
24	Washer 16*30	4	DIN125
23	Bolt M16*100	4	DIN933
22	Impeller 310 126	1	GGG40
21	Rubbered Impeller 360 139	1	NR+GGG40
20	VRING VA110	1	NR
19	Retaining Ring S 90	1	DIN471
18	Key 12 8 70	1	DIN6885
17	Key 18 11 130	1	DIN6885
16	Set Screw M8*20	3	DIN913
15	Screw M10*30	8	DIN912
14	Grease Nipple 10	2	DIN71412
13	Lock Washer MB15	1	DIN5406
12	Lock Nut Km15	1	DIN981
11	Bearing 22315	1	Nachi
10	Bearing NU318	1	Nachi
9	Drive Shaft 109 37 1681	1	Ck45
8	VRing VS70	1	NR
7	Down End Cover 228 112 40	1	GG25
6	Up End Cover 206 73 52	1	GG25
5	Labyrinth 183 109 38	1	GG25
4	Grease Retainer 160 95 15	1	GG25
3	Bearing Housing 190 570	1	GG25
2	Inlet Liner 444 208	1	NR
1	Lining Casing VTP6	1	GG25+NR
Item No.	Part Name	QTY	Material/Standard



ITEM	REV.NO	DATE	NAME	DESCRIPTION
Date: 1402/04/24		Project Name: Vertical Tank Pump 6"		
Design: Arshin Machine		Title: Explode		
Drawn: M.Tolami		Assm.No: AVTP6		
Confirmed: M.Arashmanesh		Drw.No: --		
Approved: Gh.Zare		Scale: 1:1	Rev: 00	
Dimension Tolerances: ISO 2768-f		Material: --	Weight: --kg	Size: A3
		Dimentions : mm	Qty: 01	Sheet: 01/10