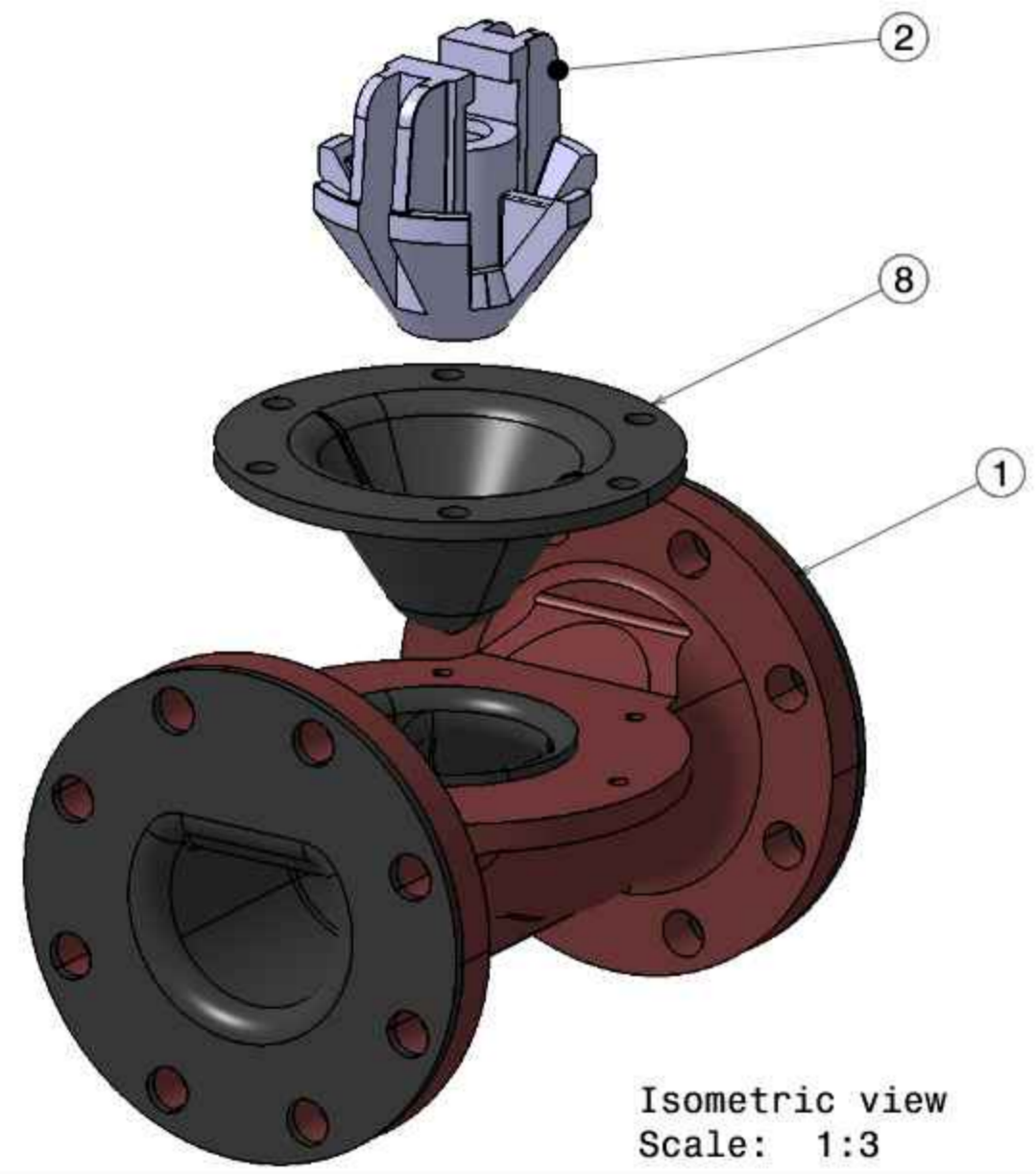



Isometric view  
Scale: 1:2



Isometric view  
Scale: 1:3

12	Screw M10*30	4	DIN912
11	Washer 10*20	6	DIN125
10	Screw M10*35	2	DIN 913
9	Pin 6 45	1	St37
8	Diaphragm 4	1	NR
7	HandWheel 230 38 25	1	GGG40
6	Bearing 51205	1	-
5	Stem 38 201	1	Ck45
4	Stem Bush 42 32	1	Brass
3	Bonnet 4 190	1	GG25
2	Compressor 40 118	1	GG25
1	Lining Body Valve 4 300	1	GG25+NR
Item No.	Part Name	QTY	Material/ Standard

√ ( 1.6 / , 0.8 / )		1400/--/--	M.Tolami		
ITEM	REV.NO	DATE	NAME	DESCRIPTION	
Date:	1402/08/01	Project Name: Suanders Valve 4"			
Design:	Arshin Machine	Title: Explode			
Drawn:	M.Tolami	Assm.No: --			
Confirmed:	M.Arashmanesh	Drw.No: --		Scale: 1:1	Rev: 00
Approved:	Gh.Zare	Material: --		Weight: --kg	Size: A3
Dimension Tolerances:		Dimentions : mm		Qty: 01	Sheet: 01/10
ISO 2768-f					