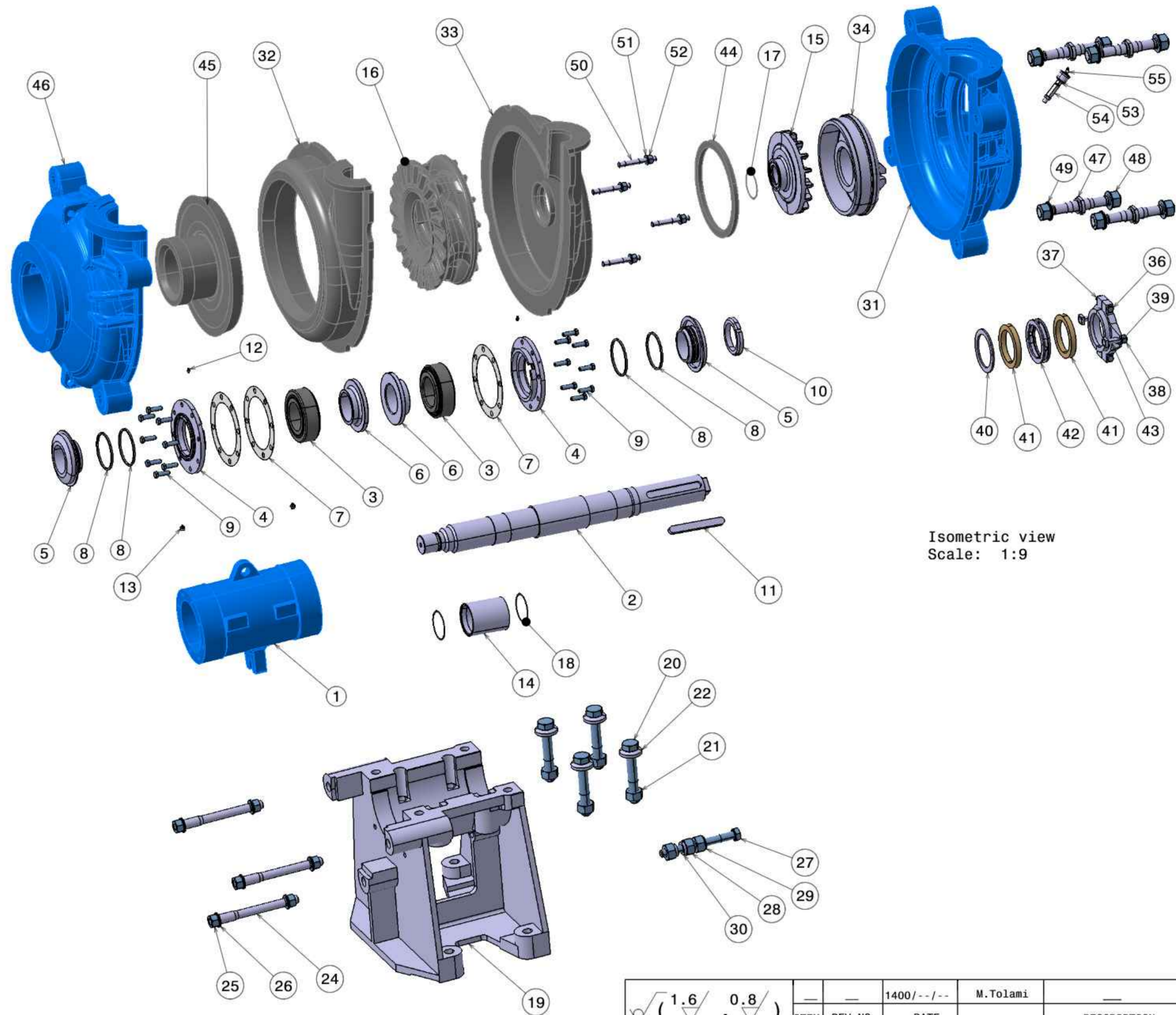


55	Grease Nipple 6	1	DIN71412
54	Oil Neadel 1/4*60	1	ST37
53	Grease Cup 1/4	1	Brass
52	Washer 16*30	4	DIN125
51	Nut M16	4	DIN934
50	Bolt M16L120	4	DIN976
49	Washer 30*56	8	DIN125
48	Nut 30	8	DIN934
47	Cover Bolt 54 263	4	Ck45
46	Cover Plate 6/4	1	GGG40
45	Rubbered Throat Bush 430	1	NR
44	Expeller Ring Seal 296 256 14	1	NR
43	Gland Bolt 35 75	2	Mo40
42	Lantern 133 103 23	1	St52
41	Packing 16*16	2	Cotton
40	Neck Ring 133 103 5	1	St52
39	Washer 16*30	2	DIN125
38	Nut M16	2	DIN934
37	Nut M12	2	DIN934
36	Bolt M12*90	2	DIN933
35	Gland 132 103 16	2	GG25
34	Expeller Ring 308 133	1	Hi-Cr
33	Frame Plate Liner 6/4	1	NR
32	Cover Plate Liner 6/4	1	NR
31	Frame Plate 6/4	1	GGG40
30	Washer 40 25 8	2	St37
29	Washer 24*44	1	DIN125
28	Nut M24	3	DIN934
27	Bolt M24*250	1	DIN933
26	Washer 24*44	6	DIN125
25	Nut M24	6	DIN934
24	Plate Bolt 28 286	3	Ck45
23	Spring Washer 30	4	DIN127
22	Clamp Washer 68 31 13	4	St37
21	Nut M30	4	DIN934
20	Bolt M30*180	4	DIN931
19	Frame 365 232	1	St37
18	Oring 90*4	2	NR
17	Oring 86*5	1	NR
16	Rubbered Impeller 394 155	1	NR
15	Expeller 252 86 43	1	Hi-Cr
14	Bush Sleeve 101 86 119	1	St52-200 micron Chrome
13	Grease Nipple 10	2	DIN71412
12	Grease Nipple 6	2	DIN71412
11	Key 22 14 172	1	DIN6885
10	Luck Nut 115 85 16	1	St52
9	Bolt M12*35	16	DIN933
8	Labyrinth Ring 114 105 5	4	GGG40
7	Shim Set 225 162	3	Brass/Paper
6	Grease Retainer 108 89 39	2	GG25
5	Labyrinth 170 88 54	2	GG25
4	End Cover 225 115 36	2	GG25
3	Bearing 6535 6580	2	Timken
2	Drive Shaft 98 945	1	Mo40
1	Bearing Housing 162 380	1	GG25
Item No.	Part Name	QTY	Material/Stand ard



Isometric view
Scale: 1:9

√ (1.6 / 0.8)		1400/--/--	M.Tolami		
ITEM	REV.NO	DATE	NAME	DESCRIPTION	
Date:	1402/06/18	Project Name:WarmanPump 6/4xLinery			
Design:	Arshin Machine	Title: Explode Plan			
Drawn:	M.Tolami	Assm.No: --			
Confirmed:	M.Arashmanesh				
Approved:	Gh.Zare	Drw.No: --		Scale: 1:1	Rev: 00
Dimension Tolerances:		Material: --	Weight: -- kg	Size:A3	
ISO 2768-f		Dimensions : mm	Qty:01	Sheet:01/10	