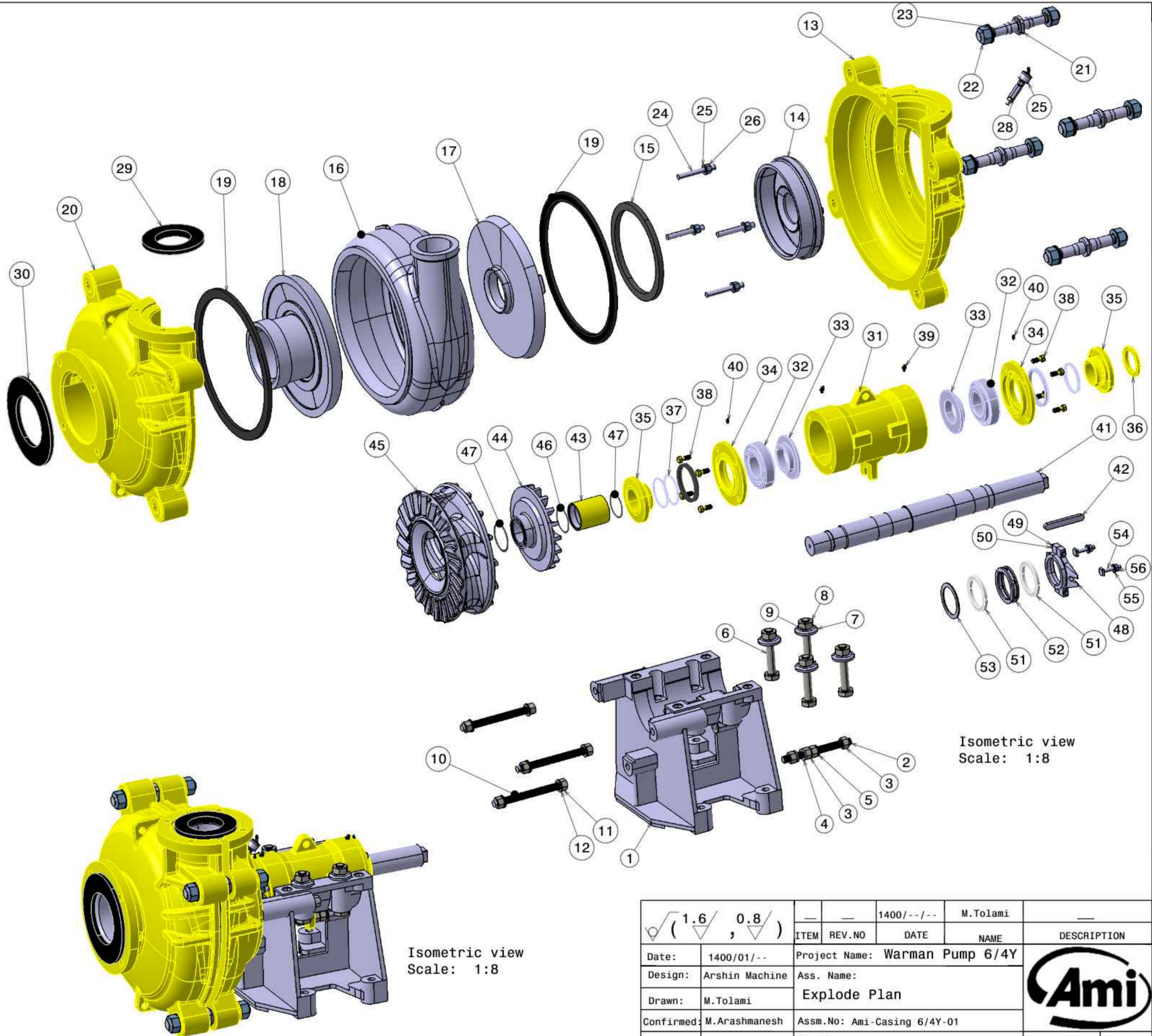



56	Nut M12	2	DIN934
55	Washer 12*24	2	DIN125
54	Gland Bolt 30 65	2	Mo40
53	Neck Ring 108 84 3	1	St52
52	Lantern 108 84 21	1	St52
51	Packing 12*12	2	Cotton
50	Nut M8	2	DIN934
49	Bolt M8*70	2	DIN933
48	Gland 107 74 13	2	GG25
47	ORing 86*5	1	NR
46	ORing 76*3	2	NR
45	Impeller 394 155	1	Hi-Cr
44	Expeller 256 70 54	1	Hi-Cr
43	Bush Sleeve 83 70 95	1	St52-200 Micron Chrome
42	Key 18 11 130	1	St37
41	Drive Shaft 79 783	1	CK45
40	Grease Nipple 6	2	St37
39	Grease Nipple 10	2	DIN71412
38	Bolt M12*35	8	DIN933
37	Labyrinth Ring 90 83 3	4	GGG40
36	Lock Nut 92 70 12	1	St52
35	Labyrinth 136 71 46	2	GG25
34	End Cover 191 90 32	2	GG25
33	Grease Retainer 133 72 26	2	GG25
32	Bearing 645 632	2	Koyo
31	Bearing Housing 136 306	1	GG25
30	Intake Joint Ring 270 155 11	1	NR
29	Disscharge Joint Ring 184 105 22	1	NR
28	Oil Neadel 1/4*60	1	ST37
27	Grease Cup 1/4	1	Brass
26	Nut M16	4	DIN934
25	Washer 16*30	4	DIN125
24	Bolt M16L120	4	DIN976
23	Washer 30*56	8	DIN125
22	Nut M30	8	DIN934
21	Cover Bolt 54 263	4	Ck45
20	Cover Plate 6/4Y	1	GGG40
19	Volute Seal 456 402 10	2	NR
18	Throat Bush 430 38	1	Hi-Cr
17	Frame Plate Liner Insert 430 34	1	Hi-Cr
16	Volute 6/4	1	Hi-Cr
15	Expeller Ring Seal 294 254 14	1	NR
14	Expeller Ring 108 295	1	Hi-Cr
13	Frame Plate 6/4Y	1	GGG40
12	Washer 20*37	6	DIN125
11	Nut M20	6	DIN934
10	Bolt M20L240	3	DIN976
9	Spring Washer 24	4	DIN127
8	Nut M24	4	DN934
7	Clamp Washer 67 25 10	4	St37
6	Bolt M24*140	4	DIN933
5	Washer 20*37	1	DIN125
4	Washer 35 21 5	2	St37
3	Nut M20	4	DIN934
2	Bolt M20L220	1	DIN976
1	Frame 291 194	1	St37
Item No.	Part Name	QTY	Material/S tandard



Isometric view
Scale: 1:8

Isometric view
Scale: 1:8

ITEM	REV.NO	DATE	NAME	DESCRIPTION
Date: 1400/01/--		Project Name: Warman Pump 6/4Y		
Design: Arshin Machine		Ass. Name:		
Drawn: M.Tolami		Explode Plan		
Confirmed: M.Arashmanesh		Assm.No: Ami-Casing 6/4Y-01		
Approved: Gh.Zare		Drw.No: AWY6-C-		Scale: 1:3
Dimension Tolerances: ISO 2768-f		Material: --	Weight: --kg	Size: A3
		Dimentions : mm	Qty: 01	Sheet: 01/10