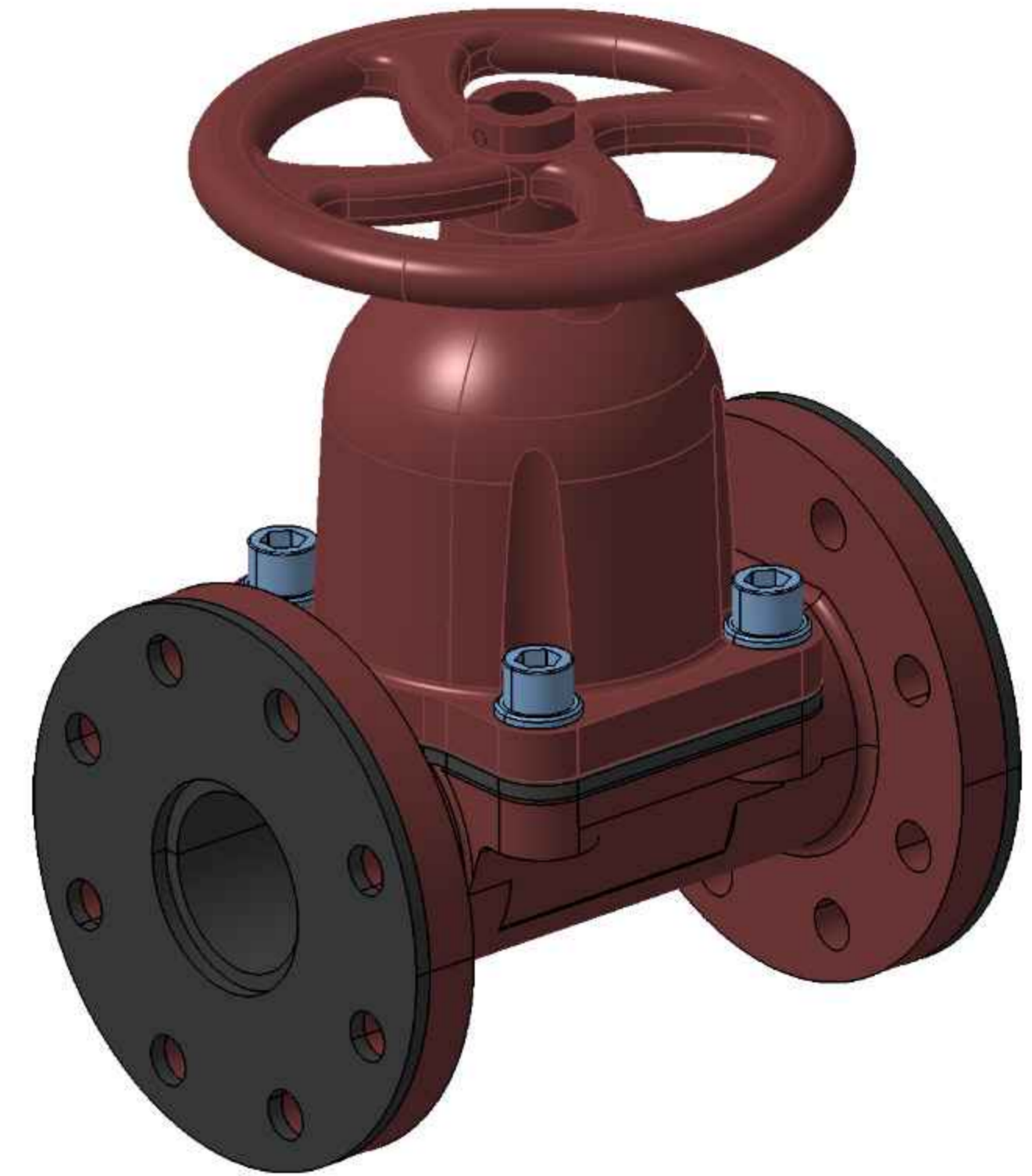
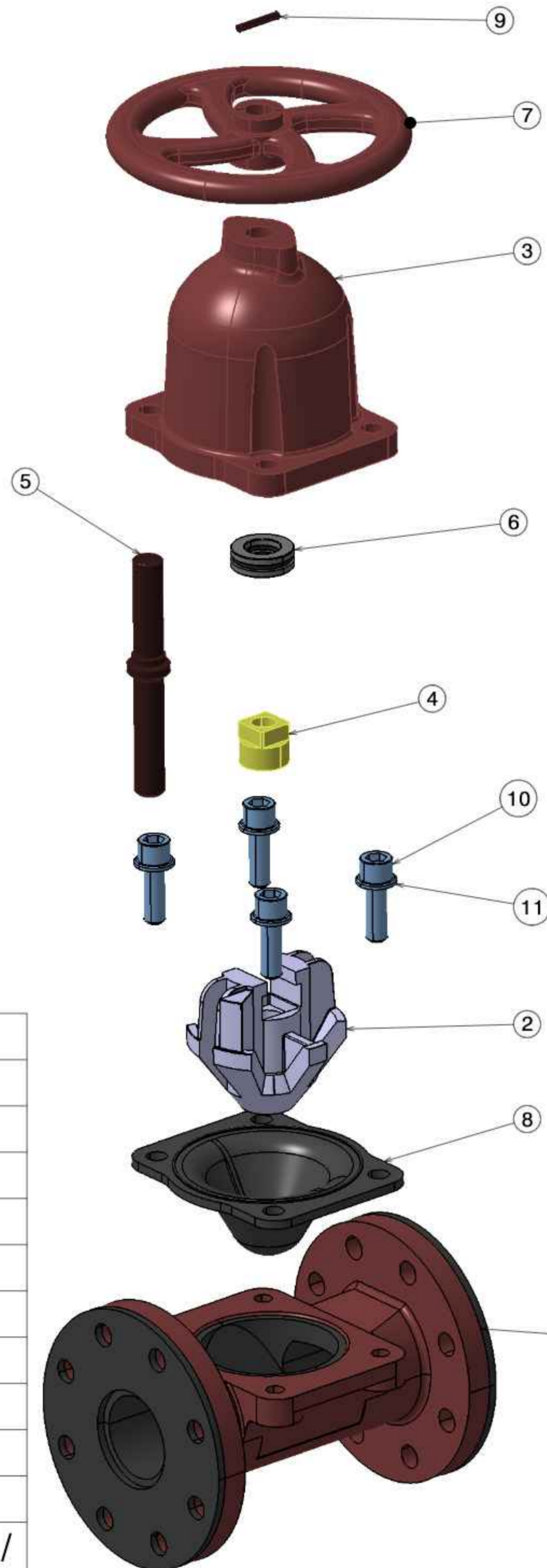



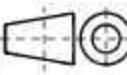
Isometric view  
Scale: 1:2



Isometric view  
Scale: 1:2

Isometric view  
Scale: 1:3

11	Washer 16*30	4	DIN125
10	Screw M16*50	4	DIN 913
9	Pin 6 37	1	ST37
8	Diaphragm 153	1	NR
7	HandWheel 230 38 22	1	GG25
6	Bearing 51205	1	-
5	Stem 32 187	1	Ck45
4	Stem Bush 37 31	1	Brass
3	Bonnet 3 168	1	GG25
2	Compressor 38 107	1	GG25
1	Lining Body Valve 3 256	1	GG25+NR
Item No.	Part Name	QTY	Material/Standard

√ ( 1.6 / 0.8 )		1400/--/--	M.Tolami		
ITEM	REV.NO	DATE	NAME	DESCRIPTION	
Date:	1402/08/01	Project Name: Suanders Valve 3"			
Design:	Arshin Machine	Title: Explode			
Drawn:	M.Tolami	Assm.No: --			
Confirmed:	M.Arashmanesh	Drw.No: --			
Approved:	Gh.Zare			Scale: 1:1	Rev: 00
Dimension Tolerances:		Material: --	Weight: --kg	Size: A3	
ISO 2768-f		Dimensions : mm	Qty: 01	Sheet: 01/10	