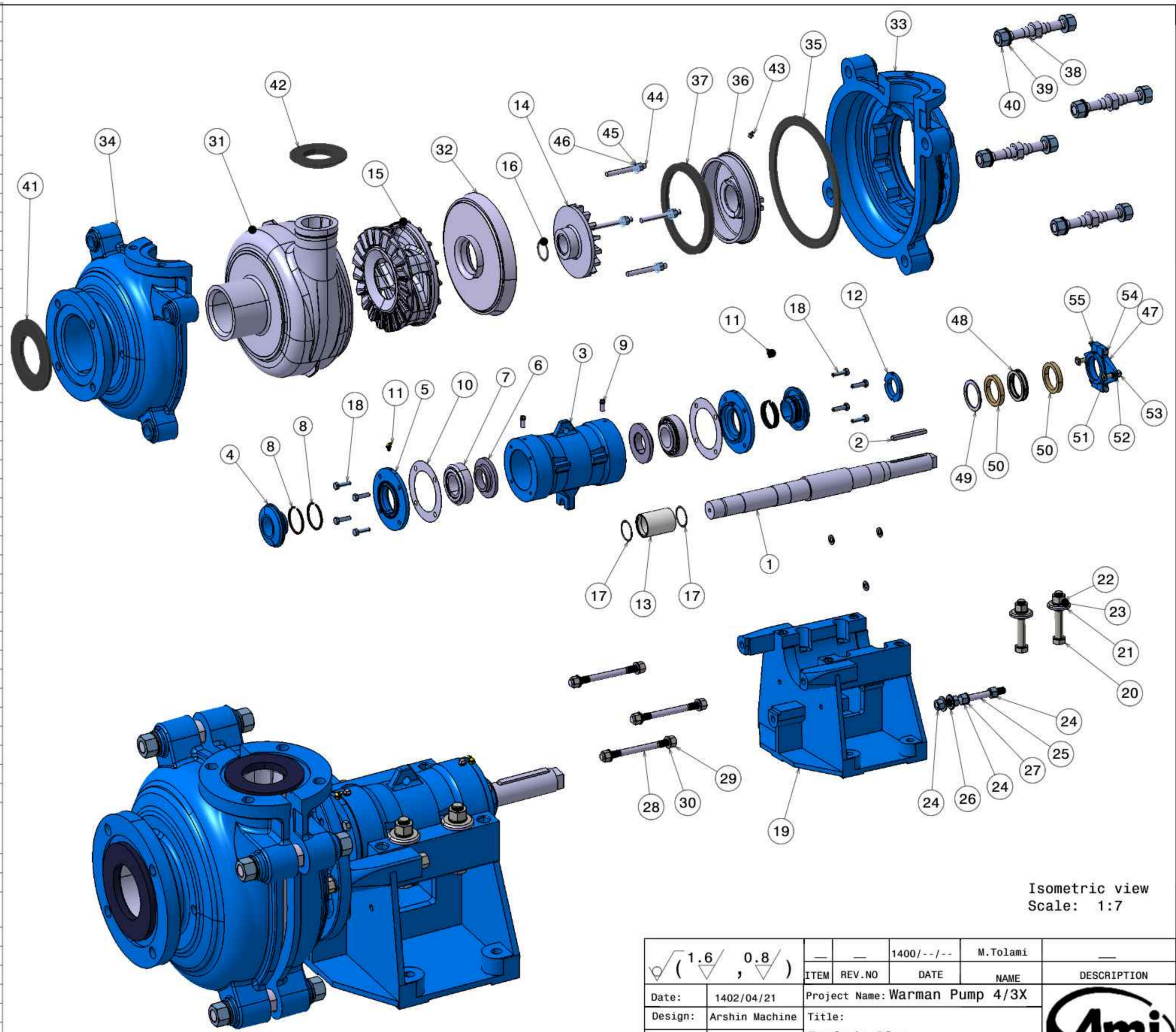

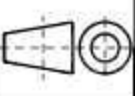


55	Nut M8	2	DIN934
54	Bolt M8*70	2	DIN933
53	Nut M10	2	DIN934
52	Washer 10*20	2	DIN125
51	Gland Bolt 25 52	2	Mo40
50	Packing 10*10	2	Cotton
49	Neck Ring 77 60 3	1	St52
48	Lantern 77 60 14	1	St52
47	Gland 77 60 10	2	GG25
46	Washer 120*20	4	DN125
45	Nut M10	4	DIN934
44	Bolt M10L110	4	DIN976
43	Grease Nipple M10*1L30	1	DIN71412
42	DissCharge Joint Ring 140 79 16	1	NR
41	Intake Joint Ring 178 102 10	1	NR
40	Nut M24	8	DIN934
39	Washer 24*44	8	DIN125
38	Cover Bolt 42 216	4	Ck45
37	Expeller Ring Seal 227 193 16	1	NR
36	Expeller Ring 228 78	1	Hi-Cr
35	Volute Seal 330 288 9	1	NR
34	Cover Plate 4/3	1	GGG40
33	Frame Plate 4/3	1	GGG40
32	Frame Plate Liner Insert 308 35	1	Hi-Cr
31	Volute 4/3	1	Hi-Cr
30	Washer 16*30	6	DIN125
29	Nut M16	6	St37
28	Bolt M16L210	3	St37
27	Washer 16*30	1	DIN125
26	Washer 37 20 4	2	St37
25	Bolt M16L180	1	DIN976
24	Nut M16	4	DIN934
23	Spring Washer 20	4	DIN127
22	Nut M20	4	DIN934
21	Clamp Washer 57 21 8	4	St37
20	Bolt M20*120	4	DIN931
19	Frame 241 159	1	St37
18	Bolt M10*35	8	DIN933
17	ORing 53*4	2	NR
16	ORing 52*5	1	NR
15	Impeller 261 124	1	Hi-Cr
14	Expeller 181 48 52	1	Hi-Cr
13	Bush Sleeve 59 48 80	1	St52/200 micron Chrome
12	Lock Nut 73 46 11	1	St52
11	Grease Nipple 6	2	St37
10	Shim set 154 103	2	Paper/Bra ss
9	Grease Nipple 10	2	St37
8	Labyrinth Ring 67 61 3	4	GGG40
7	Bearing 522 529	2	Koyo
6	Grease Retainer 99 51 20	2	GG25
5	End Cover 156 67 29	2	GG25
4	Labyrinth 108 50 41	2	GG25
3	Bearing Housing 102 254	1	GG25
2	Key 12 8 100	1	St37
1	Drive Shaft 60 644	1	CK45
Item No.	Part Name	QTY	Material/Standard



Isometric view  
Scale: 1:5

Isometric view  
Scale: 1:7

√ ( 1.6 / 0.8 )		1400/--/--	M.Tolami		
ITEM	REV.NO	DATE	NAME	DESCRIPTION	
Date:	1402/04/21	Project Name: Warman Pump 4/3X			
Design:	Arshin Machine	Title: Explode Plan			
Drawn:	M.Tolami	Assm.No: --			
Confirmed:	M.Arashmanesh	Drw.No: AWX4-EXP			
Approved:	Gh.Zare			Scale: 1:1	Rev: 01
Dimension Tolerances:		Material: --	Weight: -- kg	Size: A3	
ISO 2768-f		Dimensions : mm	Qty: 01	Sheet: 01/10	