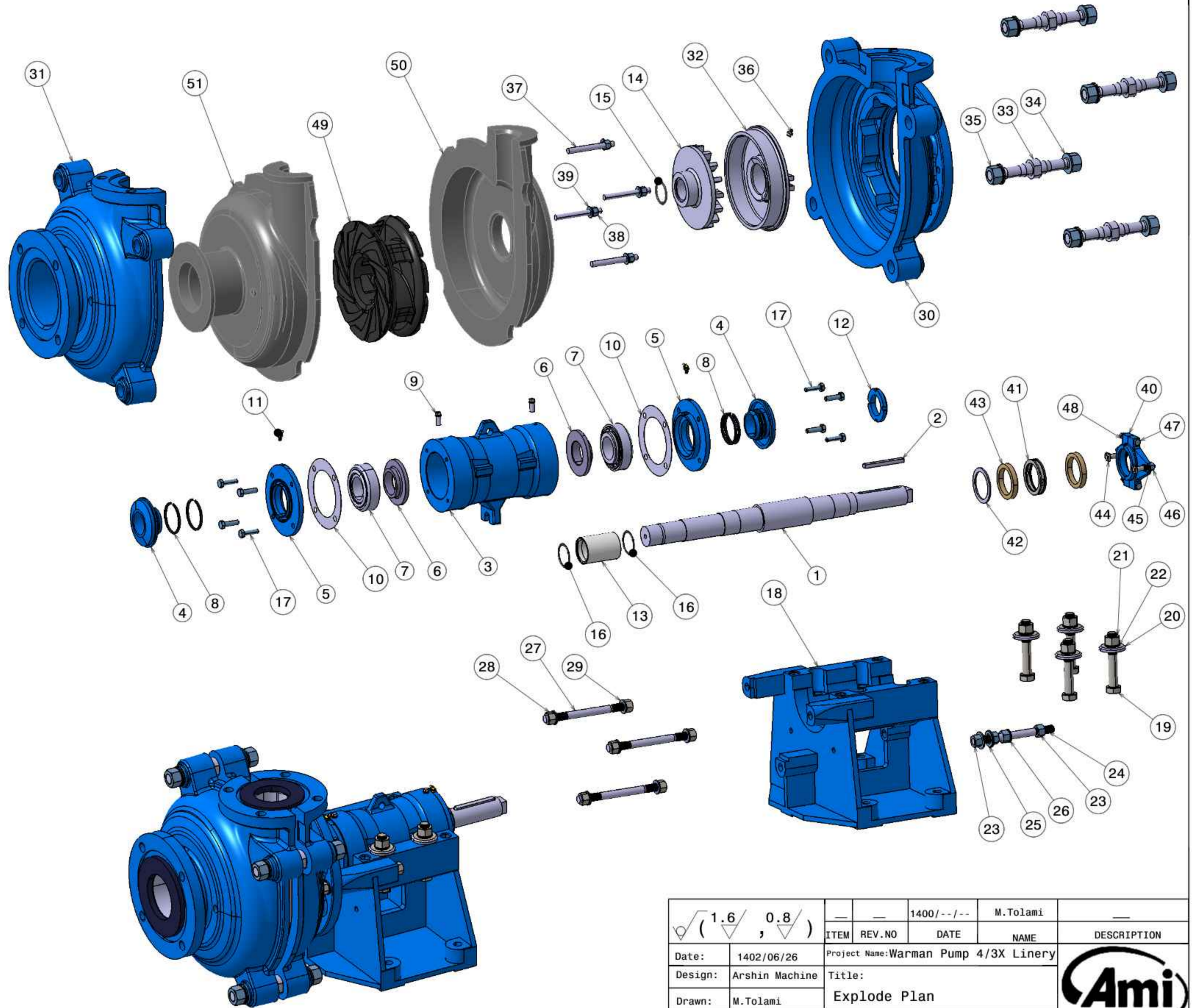



51	Cover Plate Liner 4/3	1	NR
50	Frame Plate Liner4/3	1	NR
49	Rubbered Impeller 263 123	1	NR
48	Nut M8	2	DIN934
47	Bolt M8*70	2	DIN933
46	Nut M10	2	DIN934
45	Washer 10*20	2	DIN125
44	Gland Bolt 25 52	2	Mo40
43	Packing 10*10	2	Cotton
42	Neck Ring 77 60 3	1	St52
41	Lantern 77 60 14	1	St52
40	Gland 77 60 10	2	GG25
39	Washer 12*24	4	DN125
38	Nut M12	4	DIN934
37	Bolt M12L110	4	DIN976
36	Grease Nipple M10L30	1	DIN71412
35	Nut M24	8	DIN934
34	Washer 24*44	8	DIN125
33	Cover Bolt 42 216	4	Ck45
32	Expeller Ring 228 78	1	Hi-Cr
31	Cover Plate 4/3	1	GGG40
30	Frame Plate 4/3	1	GGG40
29	Washer 16*30	6	DIN125
28	Nut M16	6	DN934
27	Bolt M16L210	3	DIN976
26	Washer 16*30	1	DIN125
25	Washer 37 20 4	2	St37
24	M16L180	1	DIN976
23	Nut M16	4	DIN934
22	Spring Washer 20	4	DIN127
21	Nut M20	4	DIN934
20	Clamp Washer 57 21 8	4	St37
19	Bolt M20*120	4	DIN931
18	Frame 241 159	1	St37
17	Bolt M10*35	8	DIN933
16	ORing 53*4	2	NR
15	ORing 52*5	1	NR
14	Expeller 181 48 52	1	Hi-Cr
13	Bush Sleeve 59 48 80	1	St52/200 micron Chrome
12	Lock Nut 73 46 11	1	St52
11	Grease Nipple 6	2	DIN71412
10	Shim set 154 103	2	Paper/Bra ss
9	Grease Nipple 10	2	DIN71412
8	Labyrinth Ring 67 61 3	4	GGG40
7	Bearing 522 529	2	Koyo
6	Grease Retainer 99 51 20	2	GG25
5	End Cover 156 67 29	2	GG25
4	Labyrinth 108 50 41	2	GG25
3	Bearing Housing 102 254	1	GG25
2	Key 12 8 100	1	St37
1	Drive Shaft 60 644	1	CK45
Item No.	Part Name	QTY	Material/ Standard



ITEM	REV.NO	DATE	NAME	DESCRIPTION
Date: 1402/06/26		Project Name: Warman Pump 4/3X Linery		
Design: Arshin Machine		Title: Explode Plan		
Drawn: M.Tolami		Assm.No: --		
Confirmed: M.Arashmanesh		Drw.No: --		
Approved: Gh.Zare				Scale: 1:1
Dimension Tolerances: ISO 2768-f		Material: --	Weight: -- kg	Size: A3
		Dimentions : mm	Qty: 01	Sheet: 01/10