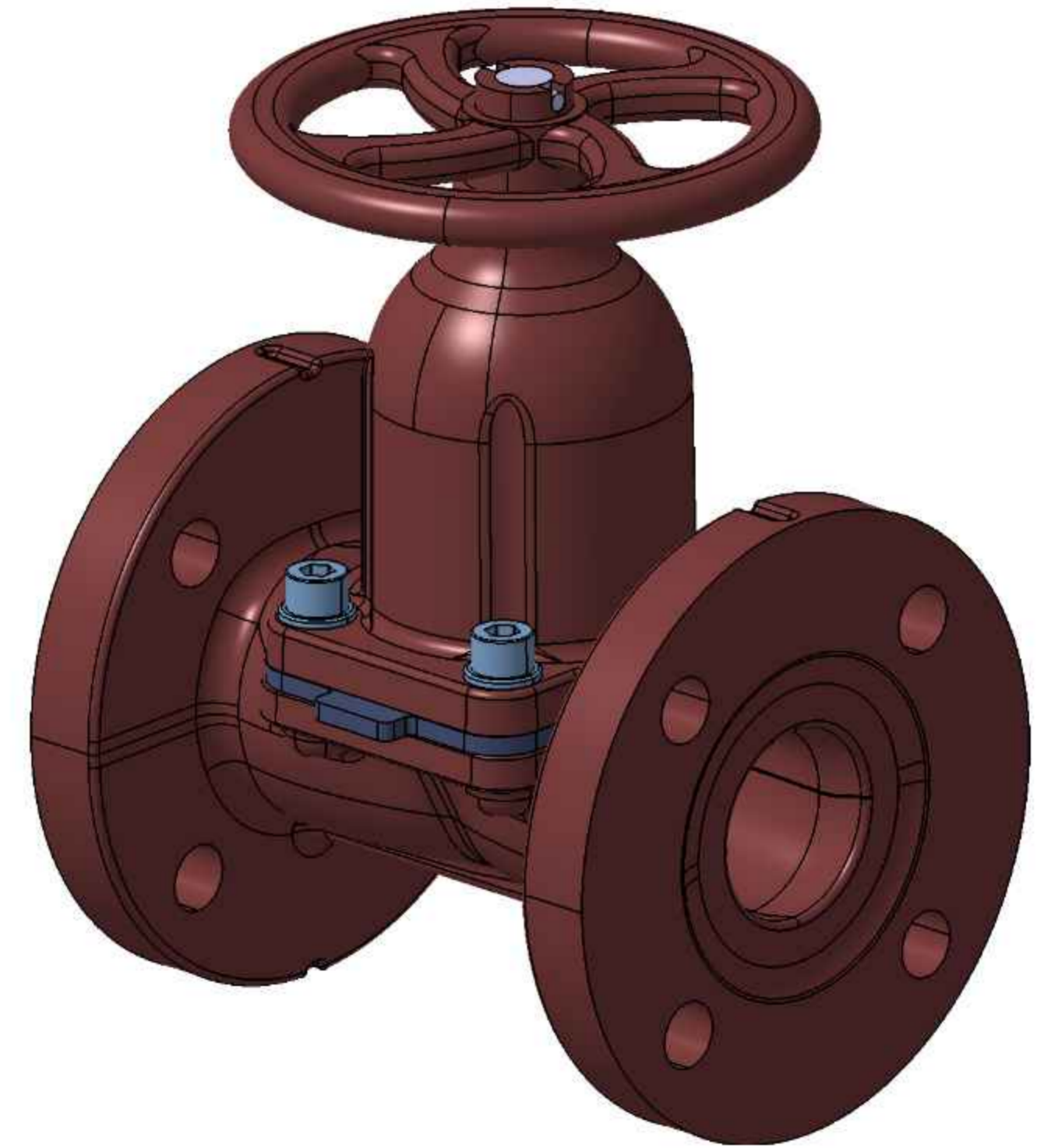
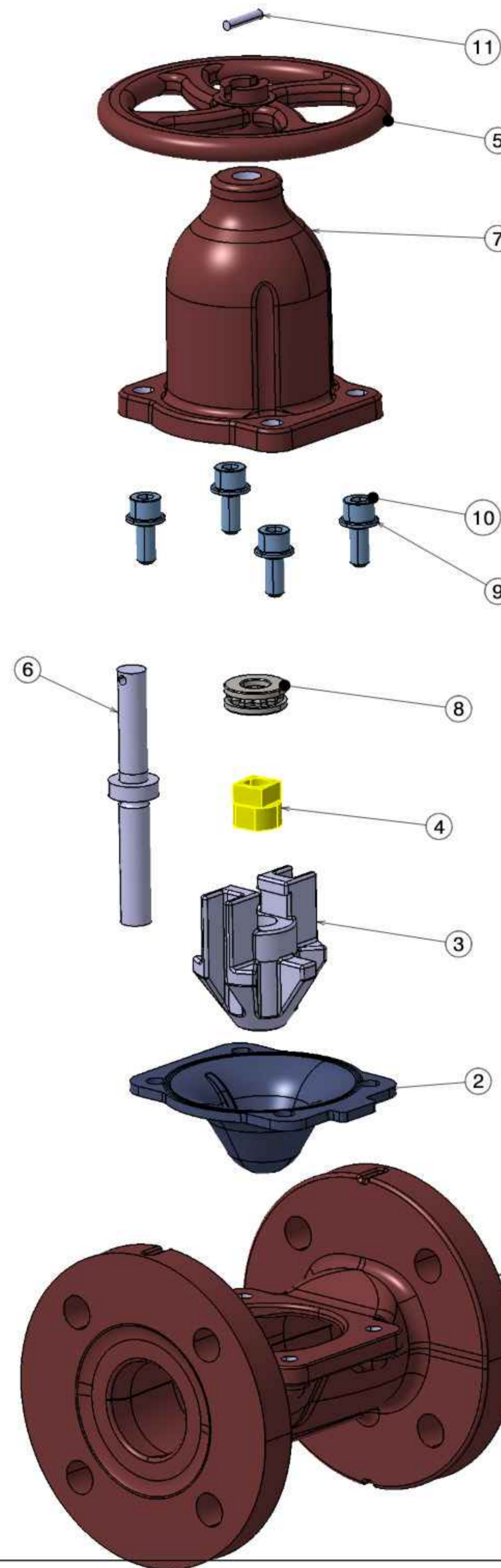



Isometric view  
Scale: 1:2



Isometric view  
Scale: 2:3

Isometric view  
Scale: 1:2

11	Pin 5 25	1	St37
10	Screw M10*30	4	DIN913
9	Washer 10*20	4	DIN125
8	Bearing 51202	1	-
7	Bonnet 2 127	1	GG25
6	Stem 22 135	1	Ck45
5	Handwheel 150 27 15	1	GGG40
4	Stem Bush 25 22	1	Brass
3	Compressor 18 75	1	GG25
2	Diaphragm 2	1	NR
1	Lining Body Valve 2 192	1	GG25
Item No.	Part Name	QTY	Material/ Standard

ITEM	REV.NO	DATE	NAME	DESCRIPTION
Date:	1400/01/--	1400/--/--	M.Tolami	
Design:	Arshin Machine	Project Name:Suanders Valve 2"		
Drawn:	M.Tolami	Title: Explode		
Confirmed:	M.Arashmanesh	Assm.No: --		
Approved:	Gh.Zare	Drw.No: --		Scale: 1:1
Dimension Tolerances:		Material: --	Weight: -- kg	Size: A3
ISO 2768-f		Dimensions : mm	Qty: 01	Sheet: 01/10