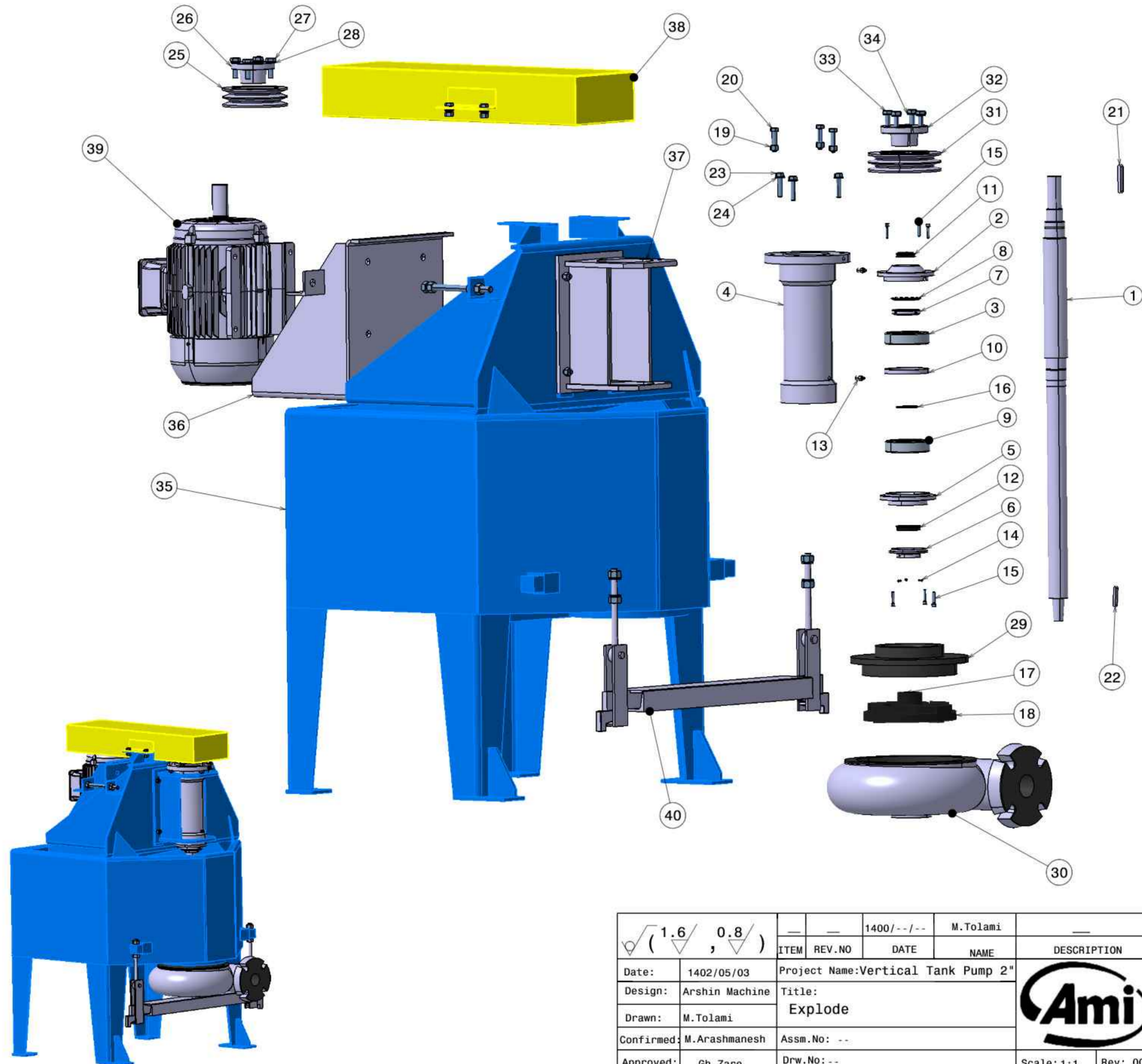


40	Jack	1	ST37
39	Electromotor 7.5kw 1400rpm	1	
38	Cover	1	St37
37	Frame 140 314	1	St37
36	Motor Base	1	St37
35	Tank Body	1	St37
34	Washer 12*24	4	DIN125
33	Bolt 1/2*40	4	AsmeB18.1 .2
32	Bush Pulley 116 35 32	1	GG25
31	Pulley180 2VB	1	GG25
30	Lining Casing VTP2	1	GG25
29	Inlet Liner 290 106	1	NR+St37
28	Washer 12*24	4	DIN125
27	Bolt 1/2*40	4	ASME
26	Bush Pulley 108 38 34	1	GG25
25	Pulley 160 2VB	1	GG25
24	Washer 12*24	3	DIN125
23	Bolt M12*50	3	DIN933
22	Key 8 7 60	1	DIN6885
21	Key 10 8 70	1	DIN6885
20	Bolt M12*50	3	DIN933
19	Nut M12	3	DIN934
18	Rubberd Impeller 228 69	1	NR+GGG40
17	Impeller 204 61	1	GGG40
16	Retaining Ring S 50	1	DIN471
15	Screw M6*30	6	DIN912
14	Set Screw M6*10	3	DIN913
13	Grease Nipple 10	2	DIN71412
12	VRING VA50	1	NR
11	VRING VS40	1	NR
10	Grease Retainer 110 61 10	1	St37
9	Bearing Nu310	1	KOYO
8	Lock Washer MB10	1	DIN5406
7	Lock Nut Km10	1	DIN981
6	Labyrinth 95 49 20	1	GG25
5	Down End Cover 138 51 28	1	GG25
4	Bearing Housing 110 365	1	GG25
3	Bearing 6310	1	KOYO
2	Up End Cover 141 41 36	1	GG25
1	Drive Shaft 58 23 1095	1	Ck45
Item No.	Part Name	QTY	Material/ Standard



Isometric view
Scale: 1:13

√ (1.6 / , 0.8 /)		1400/--/--	M.Tolami		
ITEM	REV.NO	DATE	NAME	DESCRIPTION	
Date:	1402/05/03	Project Name:Vertical Tank Pump 2"			
Design:	Arshin Machine	Title: Explode			
Drawn:	M.Tolami	Assm.No: --			
Confirmed:	M.Arashmanesh				
Approved:	Gh.Zare	Drw.No: --		Scale: 1:1	Rev: 00
Dimension Tolerances:		Material: --	Weight:--kg	Size:A3	
ISO 2768-f		Dimentions : mm	Qty:01	Sheet:01/10	