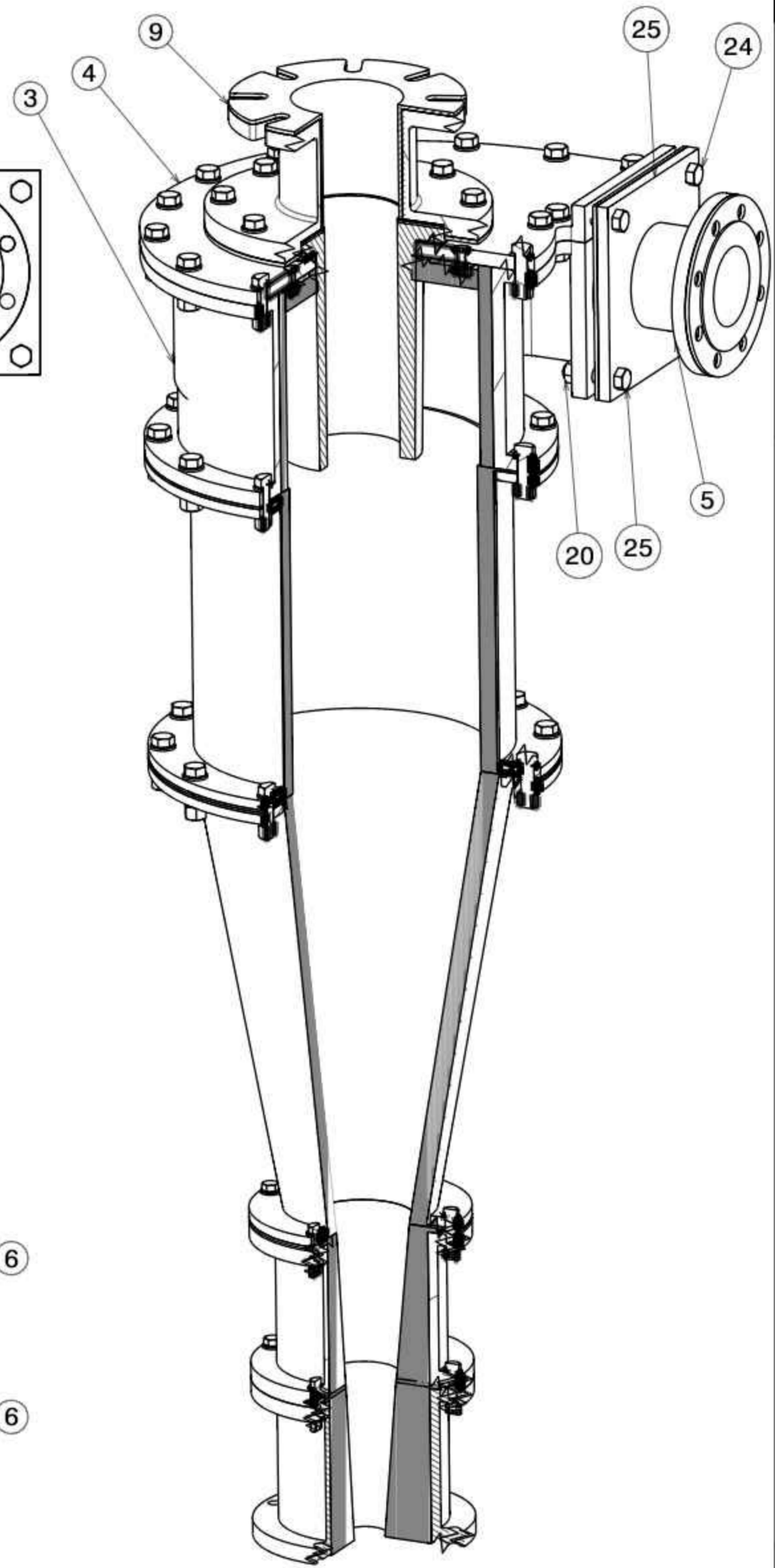
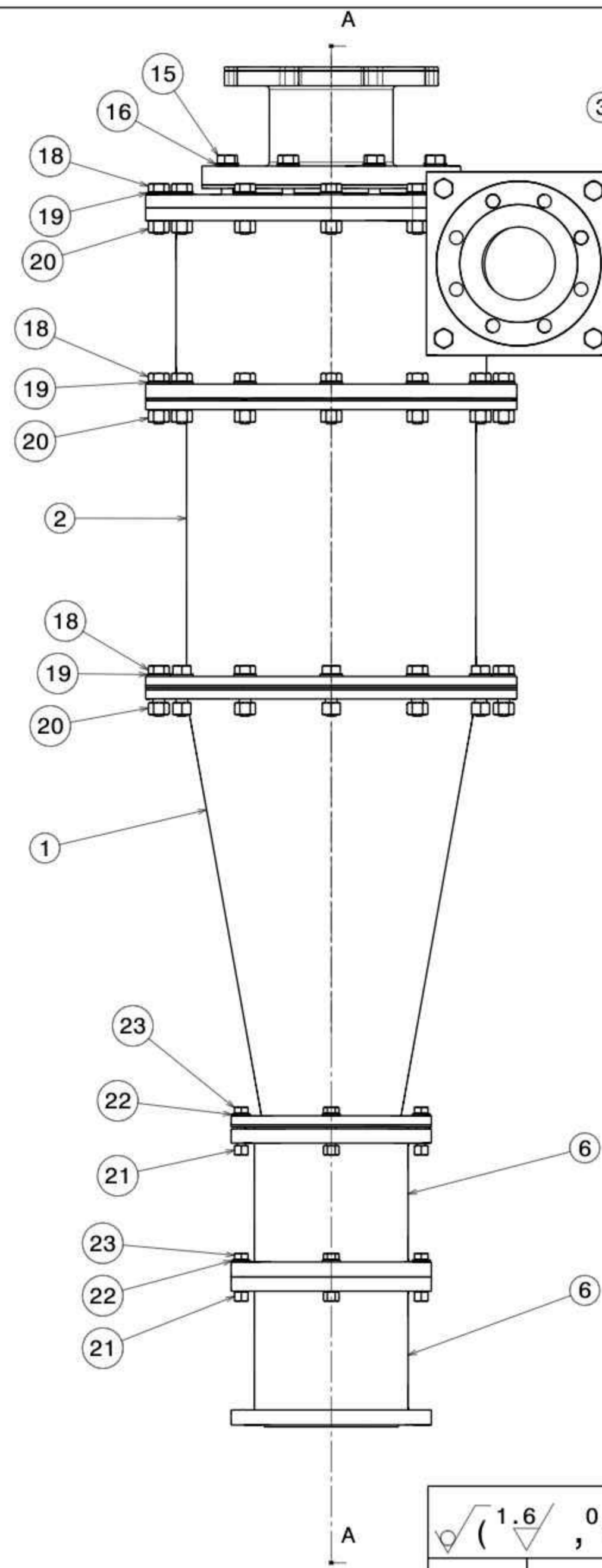
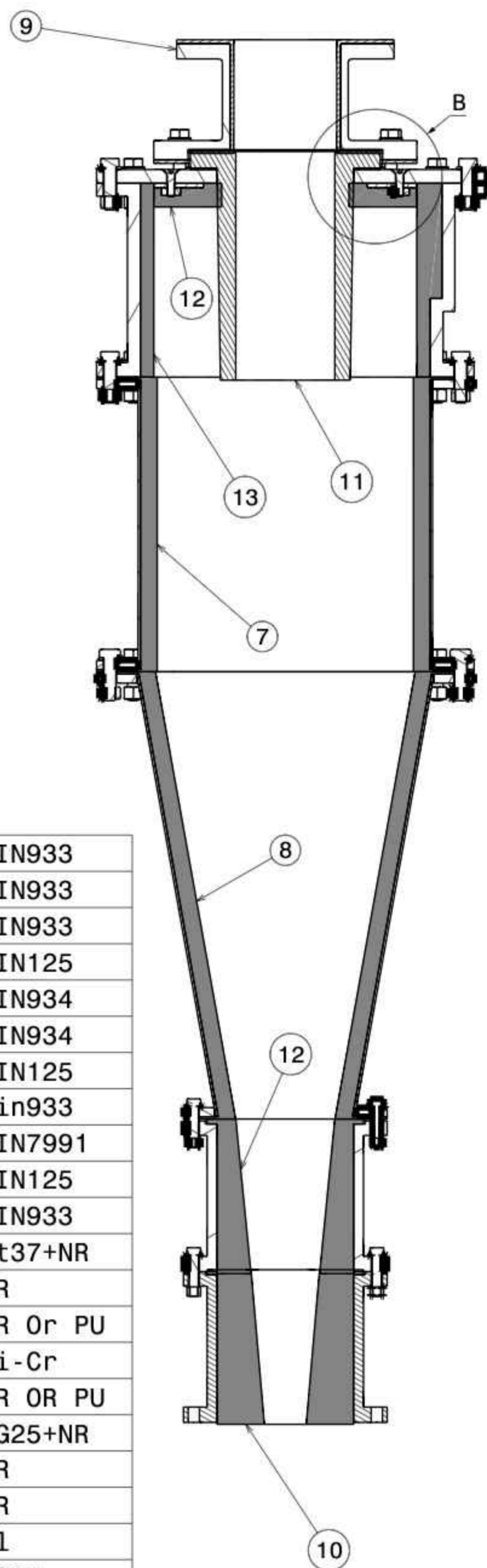

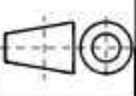


Detail B  
Scale: 1:2



|          |                                      |     |                   |
|----------|--------------------------------------|-----|-------------------|
| 25       | Bolt M16*70                          | 2   | DIN933            |
| 24       | Bolt M16*40                          | 2   | DIN933            |
| 23       | Bolt M12*55                          | 8   | DIN933            |
| 22       | Washer 12*24                         | 8   | DIN125            |
| 21       | Nut M12                              | 8   | DIN934            |
| 20       | Nut M16                              | 41  | DIN934            |
| 19       | Washer 16*30                         | 39  | DIN125            |
| 18       | Bolt M16*55                          | 39  | din933            |
| 17       | Screw HEX SOCKET C-SUNK M10*35       | 4   | DIN7991           |
| 16       | Washer 16*30                         | 8   | DIN125            |
| 15       | Bolt M16*50                          | 8   | DIN933            |
| 14       | Volute Cover Liner 345 185 31        | 1   | St37+NR           |
| 13       | Volute Liner 15                      | 1   | NR                |
| 12       | Apex 130 90 202                      | 1   | NR Or PU          |
| 11       | Vortex 249 130 300                   | 1   | Hi-Cr             |
| 10       | Apex 90 55 202                       | 1   | NR OR PU          |
| 9        | Lining Outlet Connection 285 145 152 | 1   | GG25+NR           |
| 8        | Cone Liner 384 176 580               | 1   | NR                |
| 7        | Cylinder Liner 380 380               | 1   | NR                |
| 6        | Apex Box 267 179 197                 | 2   | A1                |
| 5        | Lining Input Adaptor 219 107 113     | 1   | GG25              |
| 4        | Volute Cover 15                      | 1   | St37              |
| 3        | Volute 15                            | 1   | A1                |
| 2        | Cylinder 380 380                     | 1   | ST37              |
| 1        | Cone 384 176 580                     | 1   | St37              |
| Item No. | Part Name                            | QTY | Material/Standard |

| √ ( 1.6 / , 0.8 / )   |                | 1400/--/--                 | M.Tolami     |   |   |
|-----------------------|----------------|----------------------------|--------------|---|---|
| ITEM                  | REV.NO         | DATE                       | NAME         | DESCRIPTION   |   |
| Date:                 | 1402/07/13     | Project Name: Cyclon 15 in |              |  |   |
| Design:               | Arshin Machine | Title: Explode             |              |   |   |
| Drawn:                | M.Tolami       | Assm.No: --                |              |   |   |
| Confirmed:            | M.Arashmanesh  | Drw.No: --                 |              |   |   |
| Approved:             | Gh.Zare        |                            |              | Scale: 1:1  | Rev: 00   |
| Dimension Tolerances: |                | Material: --               | Weight: --kg | Size: A3  |  |
| ISO 2768-f            |                | Dimensions : mm            | Qty: 01      | Sheet: 01/10  |   |