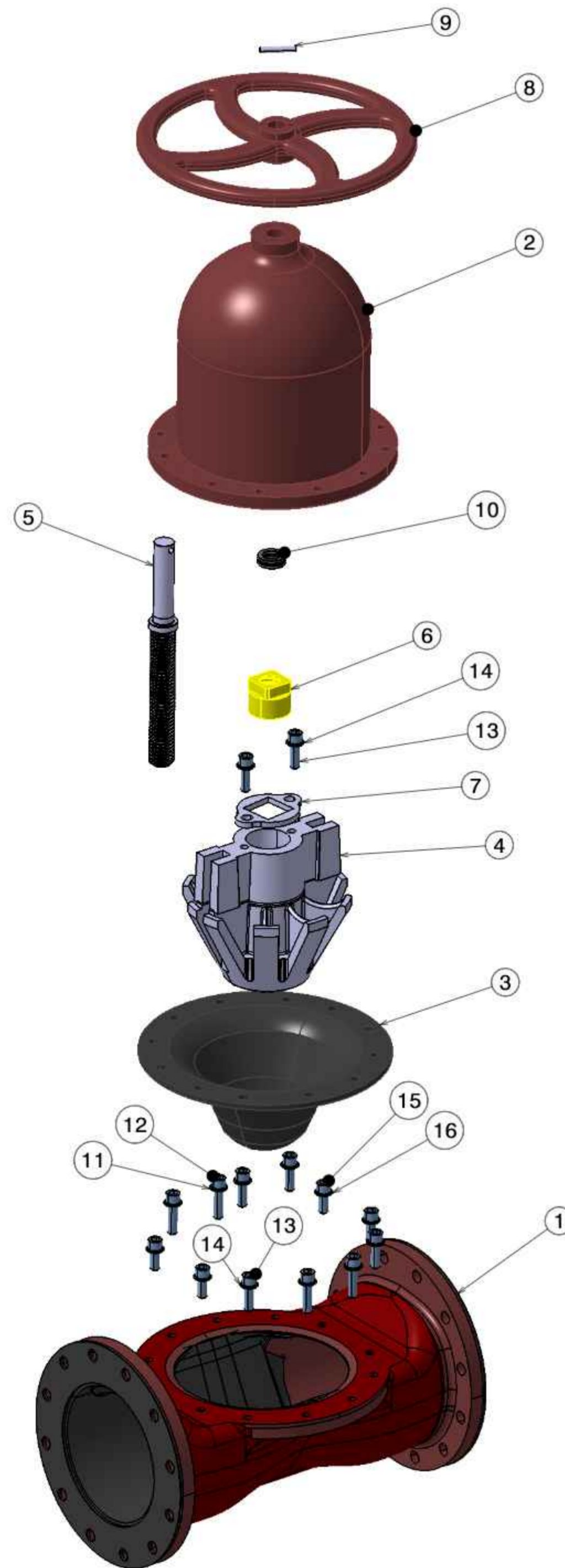



|          |                          |     |                   |
|----------|--------------------------|-----|-------------------|
| 16       | Washer 16*30             | 4   | DIN125            |
| 15       | Screw M16*40             | 4   | DIN912            |
| 14       | Washer 16*30             | 6   | DIN125            |
| 13       | Screw M16*50             | 6   | DIN912            |
| 12       | Screw M16*60             | 4   | DIN912            |
| 11       | Washer 16*30             | 4   | DIN1125           |
| 10       | Bearing 51207            | 1   | -                 |
| 9        | Pin 10 60                | 1   | St37              |
| 8        | Handwheel 470 57 35      | 1   | GGG40             |
| 7        | Keeper Plate 100 10      | 1   | St37              |
| 6        | Stem Bush 71 57          | 1   | Brass             |
| 5        | Stem 50 415              | 1   | Ck45              |
| 4        | Compeasure 75 255        | 1   | GG25              |
| 3        | Diaphragm 10             | 1   | NR                |
| 2        | Bonnet 10 413            | 1   | GG25              |
| 1        | Lining Body Valve 10 637 | 1   | GG25+NR           |
| Item No. | Part Name                | QTY | Material/Standard |



Isometric view  
Scale: 1:7



Isometric view  
Scale: 1:5

| √ ( 1.6 / , 0.8 / )   |                | 1400/--/--                      | M.Tolami    |   |         |
|-----------------------|----------------|---------------------------------|-------------|---|---------|
| ITEM                  | REV.NO         | DATE                            | NAME        | DESCRIPTION   |         |
| Date:                 | 1402/08/01     | Project Name:Suanders Valve 10" |             |  |         |
| Design:               | Arshin Machine | Title:                          |             |   |         |
| Drawn:                | M.Tolami       | Explode                         |             |   |         |
| Confirmed:            | M.Arashmanesh  | Assm.No: --                     |             | Scale: 1:1  | Rev: 00 |
| Approved:             | Gh.Zare        | Drw.No: --                      |             | Size:A3   |         |
| Dimension Tolerances: |                | Material: --                    | Weight:--kg | Sheet:01/10   |         |
| ISO 2768-f            |                | Dimentions : mm                 | Qty:01      |   |         |